

Wheel Bearings TVN Series

TVN Carriage Bearing Housing

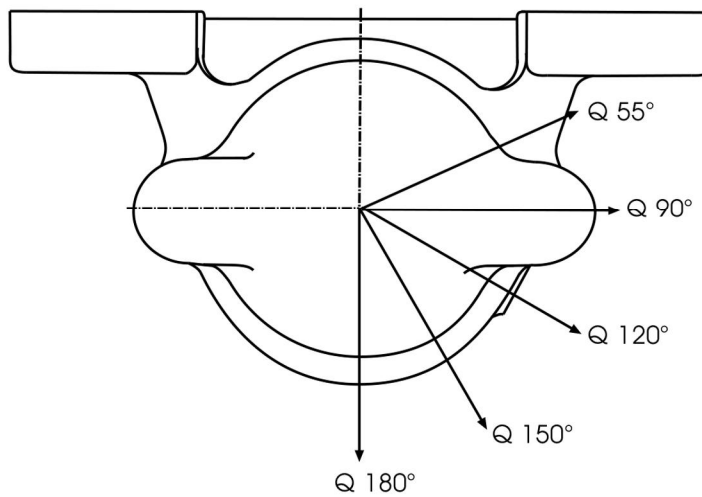
TVN Plummer block bearing housings are designed for use with cylindrical bore, self aligning ball bearings.

These housings are unsplit and are supplied as floating bearings. A locating bearing arrangement is achieved by inserting fixing rings or intermediate rings. Sealing is by means of felt strip.

TVN housings are made from GG20. For lubrication of these bearing units it is recommended that a high grade grease be used. A R1/8" grease hole is incorporated in the housing for eventual later greasing.

Breaking Loads for TVN Carriage Bearing Housings.

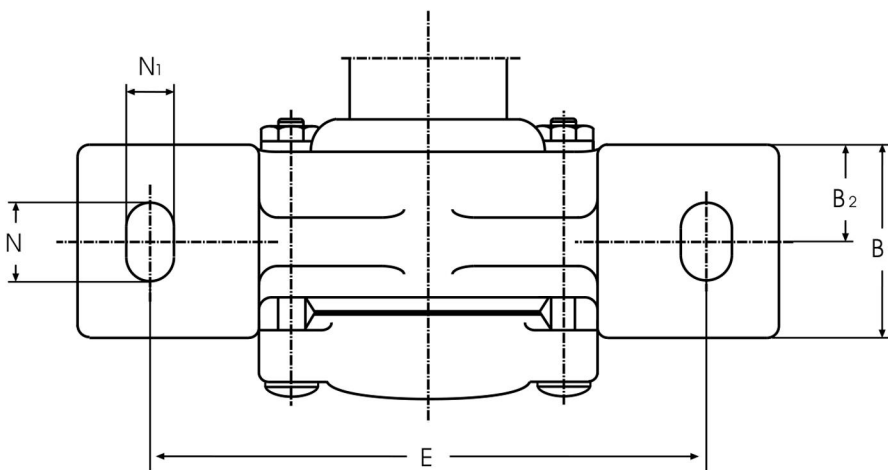
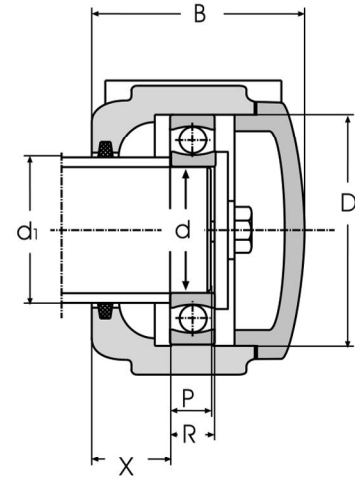
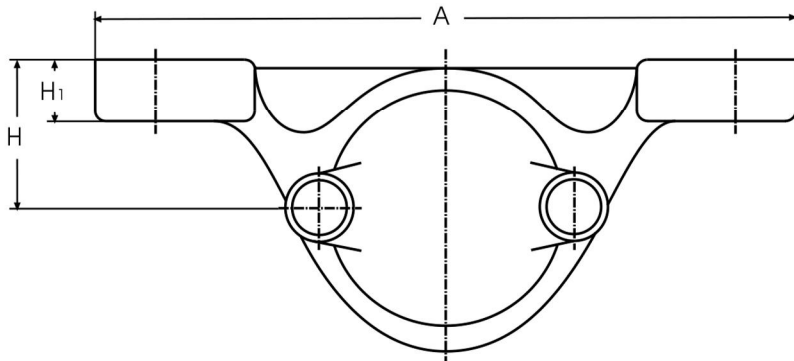
Breaking Loads for TVN Carriage Bearing Housings



Housing Ref	Breaking Load kN				
	Q 180°	Q 150°	Q 120°	Q 90°	Q 55°
TVN 204	30	25	28	52	125
TVN 205	30	25	28	52	135
TVN 206 / 305	50	42	46	85	205
TVN 207 / 306	58	48	54	95	205
TVN 208 / 307	80	68	78	125	275
TVN 209	95	80	88	150	275
TVN 210 / 308	95	80	90	150	275
TVN 211 / 309	140	115	130	245	350
TVN 212 / 310	140	115	130	250	350
TVN 213 / 311	168	140	160	280	410
TVN 214	168	140	160	280	410
TVN 215 / 312	168	140	160	280	410
TVN 313	190	160	175	290	570
TVN 314	190	160	175	290	570
TVN 315	250	205	235	385	620

Wheel Bearings

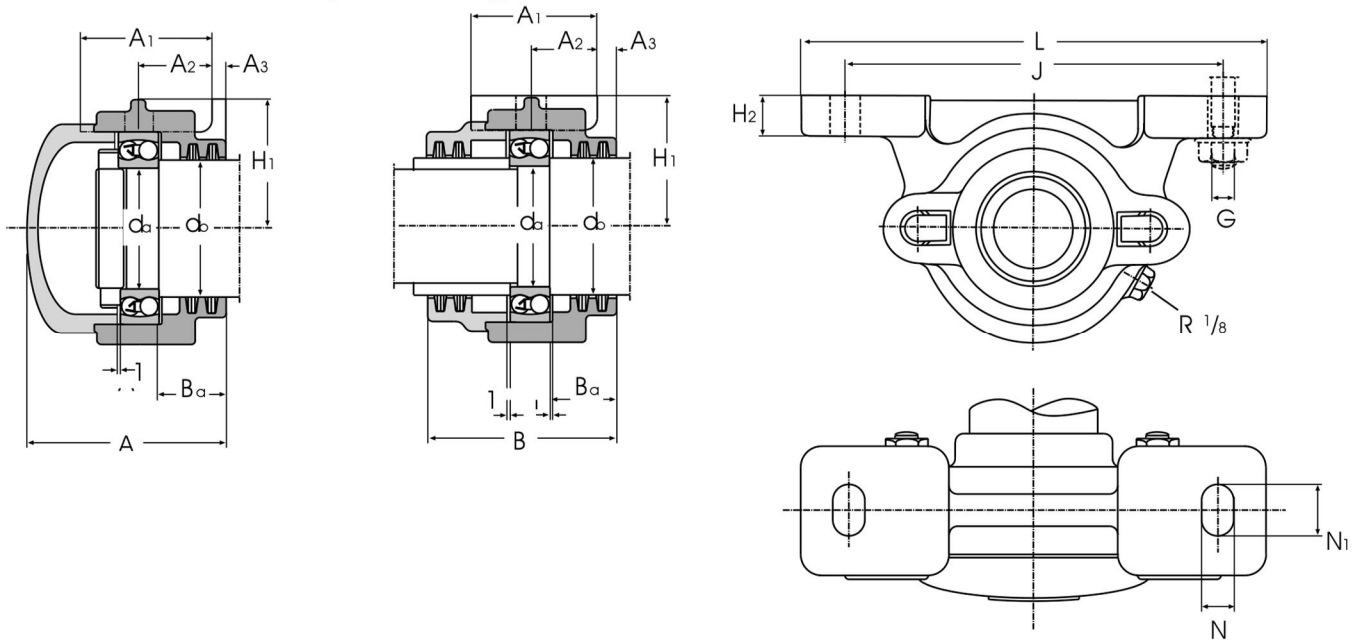
TVL...A-G und TVN... A-G - for chalk sandstone ore wagons



Housing Ref	d	d1	D	B	B ₁	B ₂	H mm	H ₁	E	A	N ₁	N	P	R	X	Weight kg
TVL 306 A	35	40	72	80	55	28	50	18	210	255	19	28	15	17	28,5	3,3
TVL 308 A	40	45	80	80	55	28	55	20	210	255	19	28	16	18	28,5	3,8
TVN 309 A-G	45	55	100	95	70	40	70	23	210	270	21	21	23	25	32,5	6,3
TVN 310 A-G	50	60	110	102	70	40	70	23	210	270	20	32	25	27	36,5	6,9
TVN 211 A-G	55	65	100	95	70	40	70	23	210	270	20	32	19	21	34,5	6,2
TVN 213 A-G	65	75	120	110	80	45	80	25	230	290	20	32	21	23	40,5	9,4

Carriage Bearing Housings

Series TVN 2 WA (outer bearing) for self aligning ball bearing series 12 - 22 and spherical roller bearing 222 with cylindrical bore
 Series TVN 2 WB (inner bearing)



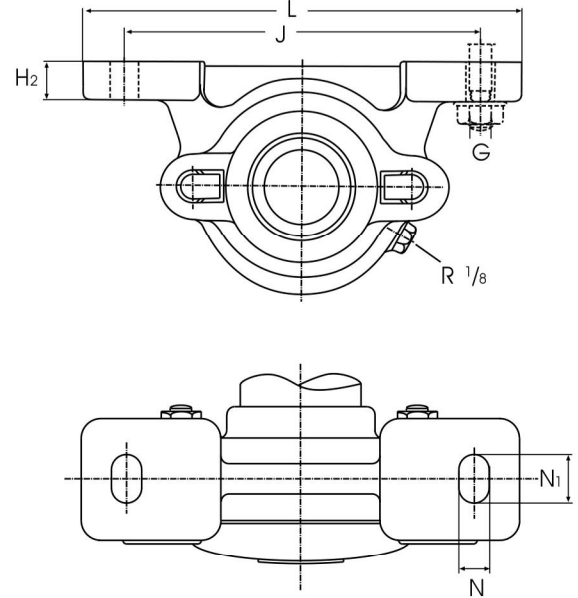
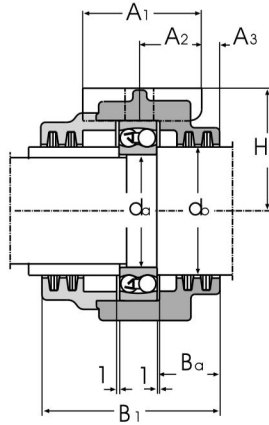
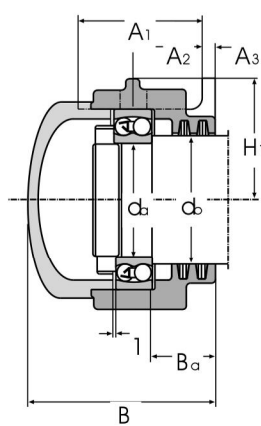
Ref	Arrangement	d_a	d_b	A	B	A_1	A_2	A_3	N	N_1	H_1	H_2	J	L	G	B_α	Weight
WA+WB																	
		mm															
TVN 204	WA	20	25	61	68	45	25	6	15	22	35	14	110	150	M 12	21,5	1,3
TVN 204	WB	20	25	61	68	45	25	6	15	22	35	14	110	150	M 12	21,5	1,5
TVN 205	WA	25	30	63	70	45	25	7	15	22	40	16	130	170	M 12	22,5	1,8
TVN 205	WB	25	30	63	70	45	25	7	15	22	40	16	130	170	M 12	22,5	1,9
TVN 206	WA	30	35	71	76	52	30	7	15	22	50	16	150	190	M 12	25,0	2,6
TVN 206	WB	30	35	71	76	52	30	7	15	22	50	16	150	190	M 12	25,0	2,7
TVN 207	WA	35	45	77	78	52	30	8	15	22	50	18	150	190	M 12	25,5	3,0
TVN 207	WB	35	45	77	78	52	30	8	15	22	50	18	150	190	M 12	25,5	3,4
TVN 208	WA	40	50	86	92	60	35	8	15	27	60	18	170	210	M 12	30,5	4,5
TVN 208	WB	40	50	86	92	60	35	8	15	27	60	18	170	210	M 12	30,5	4,5
TVN 209	WA	45	55	87	92	60	35	8	15	27	60	20	170	210	M 12	30,0	4,3
TVN 209	WB	45	55	87	92	60	3	8	15	27	60	20	170	210	M 12	30,0	4,6
TVN 210	WA	50	60	90	94	60	35	8	15	27	60	20	170	210	M 12	32,5	4,60
TVN 210	WB	50	60	90	94	60	35	8	15	27	60	20	170	210	M 12	32,5	4,80
TVN 211	WA	55	65	95	100	70	40	8	20	32	70	23	210	270	M 16	32,5	6,50
TVN 211	WB	55	65	95	100	70	40	8	20	32	70	23	210	270	M 16	32,5	6,80
TVN 212	WA	60	70	102	105	70	40	10	20	32	70	23	210	270	M 16	36,0	7,0
TVN 212	WB	60	70	102	105	70	40	10	20	32	70	23	210	270	M 16	36,0	7,5
TVN 213	WA	65	75	110	115	80	45	10	20	32	80	25	230	290	M 16	36,5	9,50
TVN 213	WB	65	75	110	115	80	45	10	20	32	80	25	230	290	M 16	36,5	9,90
TVN 214	WA	70	80	111	115	80	45	10	20	32	80	25	230	290	M 16	37,0	9,40
TVN 214	WB	70	80	111	115	80	45	10	20	32	80	25	230	290	M 16	37,0	10,40
TVN 215	WA	75	85	115	117	80	45	10	20	32	80	25	230	290	M 16	38,5	10,40
TVN 215	WB	75	85	115	117	80	45	10	20	32	80	25	230	290	M 16	38,5	10,00

Carriage Bearing Housings

Series TVN 3 WA (outer bearing)

Series TVN 3 WB (inner bearing)

for self aligning ball bearing series 13 - 23 and spherical roller bearing 223 with cylindrical bore



Ref	Arrangement	da	db	B	B ₁	A ₁	A ₂	A ₃	N	N ₁	H ₁	H ₂	J	L	G	B _α	Weight	
WA+WB																		
		mm																
TVN 304	WA	20	25	63	71	45	25	7	15	22	40	16	130	170	M 12	21	2,0	
TVN 304	WB	20	25	63	71	45	25	7	15	22	40	16	130	170	M 12	21	2,1	
TVN 305	WA	25	30	71	76	52	30	7	15	22	50	16	150	190	M 12	23	2,6	
TVN 305	WB	25	30	71	76	52	30	7	15	22	50	16	150	190	M 12	23	2,8	
TVN 306	WA	30	35	77	78	52	30	8	15	22	50	18	150	190	M 12	23,5	3,0	
TVN 306	WB	30	35	77	78	52	30	8	15	22	50	18	150	190	M 12	23,5	3,1	
TVN 307	WA	35	45	86	92	60	35	8	15	22	60	18	170	210	M 12	26,5	4,3	
TVN 307	WB	35	45	86	92	60	35	8	15	27	60	18	170	210	M 12	26,5	4,4	
TVN 308	WA	40	50	90	94	60	35	8	15	27	60	20	170	210	M 12	27,5	4,8	
TVN 308	WB	40	50	90	94	60	35	8	15	27	60	20	170	210	M 12	27,5	4,9	
TVN 309	WA	45	55	95	100	70	40	8	20	32	70	23	210	270	M 16	27	6,4	
TVN 309	WB	45	55	95	100	70	40	8	20	32	70	23	210	270	M 16	27	6,5	
TVN 310	WA	50	60	102	105	70	40	10	20	32	70	23	210	270	M 16	30	6,90	
TVN 310	WB	50	60	102	105	70	40	10	20	32	70	23	210	270	M 16	30	7,1	
TVN 311	WA	55	65	110	115	80	45	10	20	32	80	25	230	290	M 16	30,5	9,30	
TVN 311	WB	55	65	110	115	80	45	10	20	32	80	25	230	290	M 16	30,5	9,5	
TVN 312	WA	60	70	115	117	80	45	10	20	32	80	25	230	290	M 16	31	10,5	
TVN 312	WB	60	70	115	117	80	45	10	20	32	80	25	230	290	M 16	31	11,00	
TVN 313	WA	65	75	122	127	90	50	10	25	32	95	28	260	330	M 20	35	13,50	
TVN 313	WB	65	75	122	127	90	50	10	25	32	95	28	260	330	M 20	35	14,50	
TVN 314	WA	70	80	126	129	90	50	10	25	32	95	28	260	330	M 20	35,5	14,00	
TVN 314	WB	70	80	126	129	90	50	10	25	32	95	28	260	330	M 20	35,5	14,50	
TVN 315	WA	75	85	136	139	100	55	10	25	32	100	30	290	360	M 20	38,5	18,50	
TVN 315	WB	75	85	136	139	100	55	10	25	32	100	30	290	360	M 20	38,5	19,50	